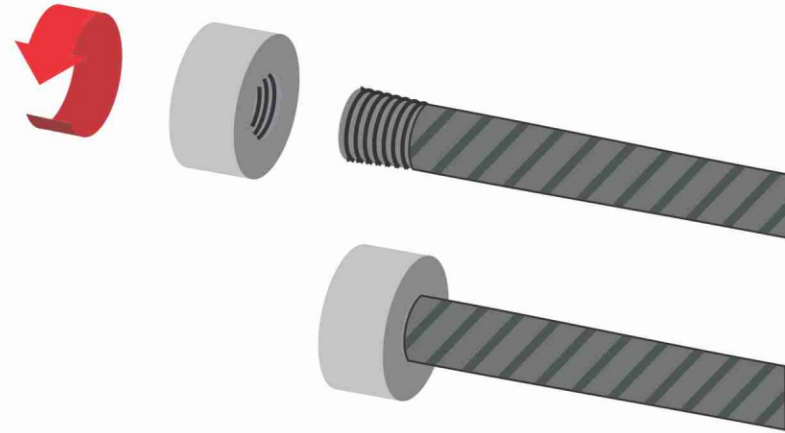


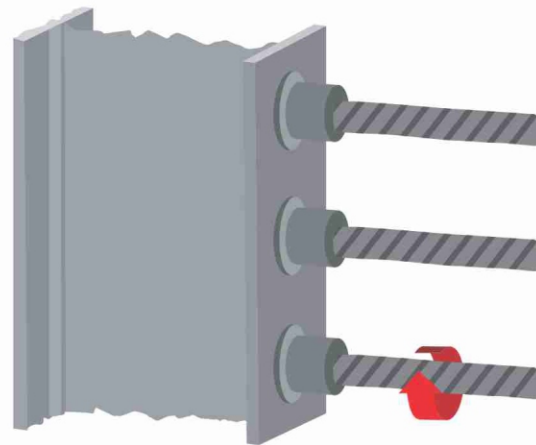
End anchors

A convenient alternative to hooked bars or development length to provide end anchorages in congested areas. Sanfield standard anchorage heads are circular but can also be made to order in other shape or dimension as per requirement and also save steel, by avoiding the bending and remove the risk of rebar embrittlement, especially on large diameters



Weldable Couplers

For composite construction where concrete reinforcement bars must be welded to structural steel, use Sanfield weldable couplers, which are specially made from low carbon steel and which have a designed chamfer for bevel welding



SANFIELD-Re Bar Couplers
Mechanical splicing system
 AN ISO 9001-2008 and CE Certified Company

Sanfield [India] Limited.



HEAD OFFICE BHOPAL
 13-A & 12-D, Sector-D, Industrial Area,
 Govindpura, Bhopal - 462 023, India.
 Tel.: 0755-4233535 (30 Lines)
 26062661 / 662 Fax : 0755-4270730
sanfield@sanfieldindia.in

DELHI OFFICE
 B-7, 2nd Floor, South Extension - II,
 New Delhi - 110 049
 Tel : 011- 46026903
sanfielddelhi@sanfieldindia.in

MUMBAI OFFICE
 Hind Saurashtra Industrial Co-op. Society Ltd.
 Unit No. B-17, Marol Naka, Andheri Kurla
 Road, Andheri (E) Mumbai - 400059
 Tel.: 022-28500275/276
sanfieldmumbai@sanfieldindia.in

AHMEDABAD
sanfieldahmedabad@sanfieldindia.in
 +918980314418

BANGALORE
sanfieldbangalore@sanfieldindia.in
 +9180500 10502

CHENNAI
sanfieldchennai@sanfieldindia.in
 +919840165062

HYDERABAD
sanfieldhyderabad@sanfieldindia.in
 +919977271110

PUNE
sanfieldpune@sanfieldindia.in
 +91 7722089602

Sanfield [India] Limited.



SANFIELD-Re Bar Couplers

Mechanical splicing system

Complete solution for your Construction Projects

SANFIELD Re-Bar Couplers are designed to join the reinforcement bars. The traditional method of connecting reinforcement bars with lap joints continuity in reinforced concrete need not be always appropriate. Advantages of simplicity and economy in lap splicing is limited to smaller diameter bars .SANFIELD mechanical couplers offer the solution for splicing for all diameter bars ranging from 12mm to 40mm.

Technically Superior: SANFIELD rebar Couplers performs like continuous reinforcement, develops strength mechanically, independent of concrete. Therefore provides ductility in RCC structures independent of condition of concrete. Proven cyclic performance of rebar offers strength during man-made, seismic or other natural events.

SANFIELD RE- BAR couplers reduce rebar congestion and improve concrete flow & consolidation. Offer greater flexibility in design options. The simplicity in detailing of reinforcement, particularly in reinforcement congestion zones minimizes the reinforcement fixing errors, detailing and fixing of seismic reinforcement becomes effortless. Workability with higher steel-to-concrete ratio allows optimum sizing of RCC structural members.

The SANFIELD RE-Bar- couplers increase production rates because of reduced installation time and simpler quality control requirements. Because of these differences, Labour requirements and costs will be substantially reduced.

BENEFITS

- Practical and economical alternative to laps
- Fast cycle time: 30 seconds per thread.
- One standard coupler for all splicing requirements (Standard / Position).
- Easy installation, no torque wrench required.
- Shortens construction cycle times
- Manufactured under strict quality assurance plan ISO 9001.

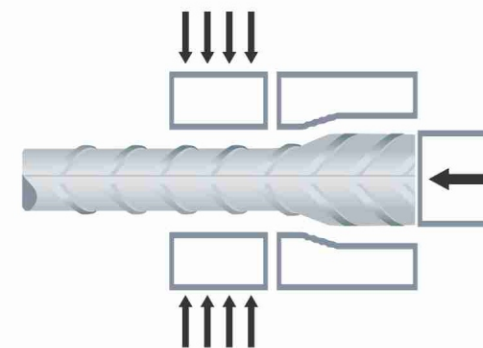


UNIQUE PROCESS



CUTTING

The end of the reinforcement bars is sawn square



COLD FORGING

The essence of the SANFIELD system consists in a method of enlarging the end of the reinforcement bar by cold forging, thus increasing its core diameter.



THREADING

An ISO standard metric thread is then cut or rolled